



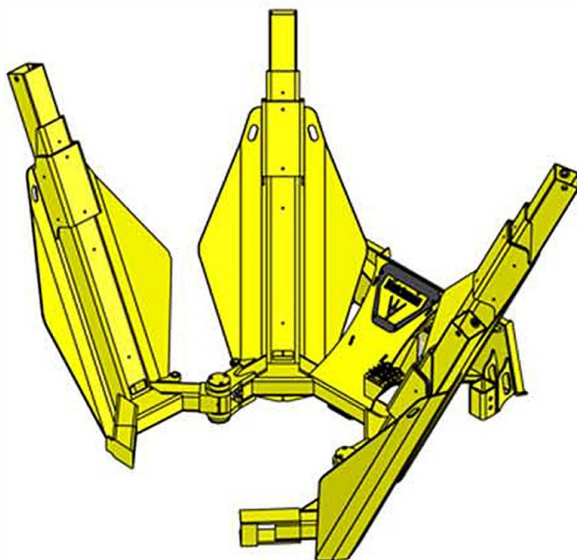
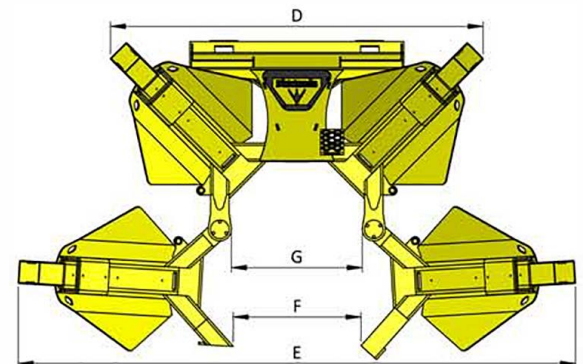
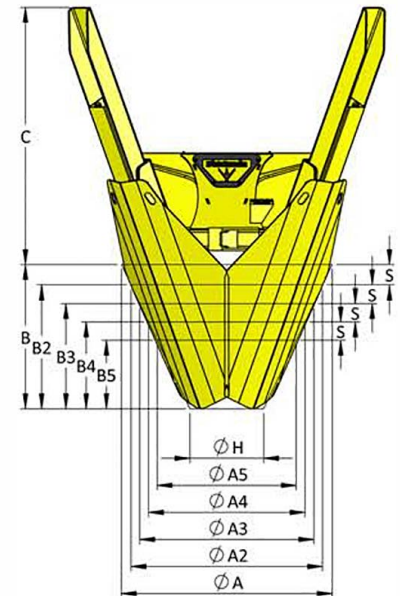
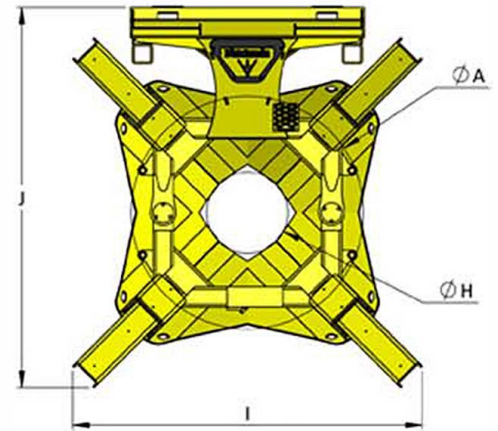
# 540i -

## 4 BLADE 25 DEGREE INSIDE FRAME

### Basic Machine:

Maximum Rootball Diameter	A	55.9"	(142 cm)
Root Ball Depth	B	40.5"	(103 cm)
Working Height	C	65.4"	(166 cm)
Working Width (Closed)	D	101"	(257 cm)
Working Width (Open)	E	147"	(384 cm)
Open Gate Clearance	F	35"	(89 cm)
Inner Diameter (Max Trunk Size)	G	35.4"	(90 cm)
Lower Rootball Diameter	H	17"	(43 cm)
Closed Width	I	81.8"	(208 cm)
Overall Length	J	87.3"	(222 cm)
Machine Weight	M	2800 lbs	(1270 kg)
Rootball Weight	W	3300 lbs	(1497 kg)
Rootball Volume	V	26.9 ft <sup>3</sup>	(0.76 m <sup>3</sup> )
Rootball Diameter 2	A2	52.1"	(132 cm)
Rootball Diameter 3	A3	48.3"	(123 cm)
Rootball Diameter 4	A4	44.5"	(113 cm)
Rootball Diameter 5	A5	40.7"	(104 cm)
Rootball Depth 2	B2	36.6"	(93 cm)
Rootball Depth 3	B3	32.6"	(83 cm)
Rootball Depth 4	B4	28.7"	(73 cm)
Rootball Depth 5	B5	24.8"	(63 cm)
Rootball Height Spacing	S	3.9"	(10 cm)

*All specifications are approximate.*



**Dutchman**  
INDUSTRIES INC.  
www.dutchmantreespade.com

Contact:  
905-683-8233  
800-293-0070  
info@dutchmantreespade.com